

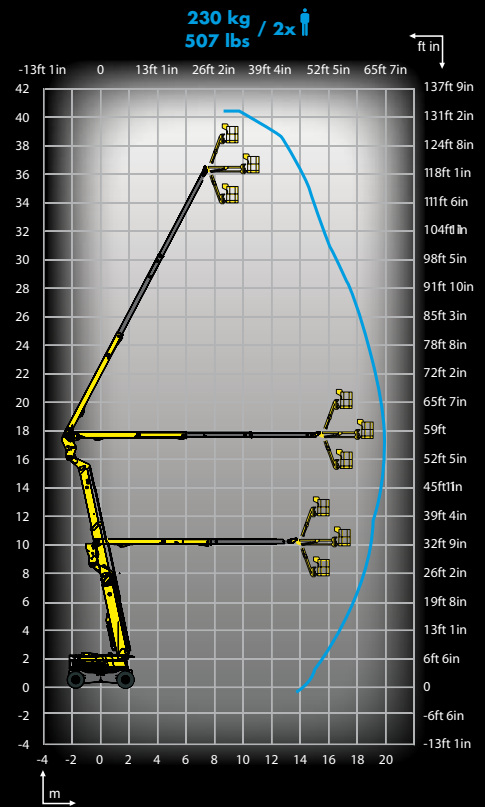


### Outstanding rough terrain driving features

- 4 wheel drive and steer
- Oscillating axle
- Differential wheel lock
- Ground clearance of 38 cm / 15 in
- The tightest turning radius in the market

### Optimal productivity

- Up to 3 simultaneous and proportional movements
- Max. outreach of 19.8 m / 65 ft
- Continuous outreach control



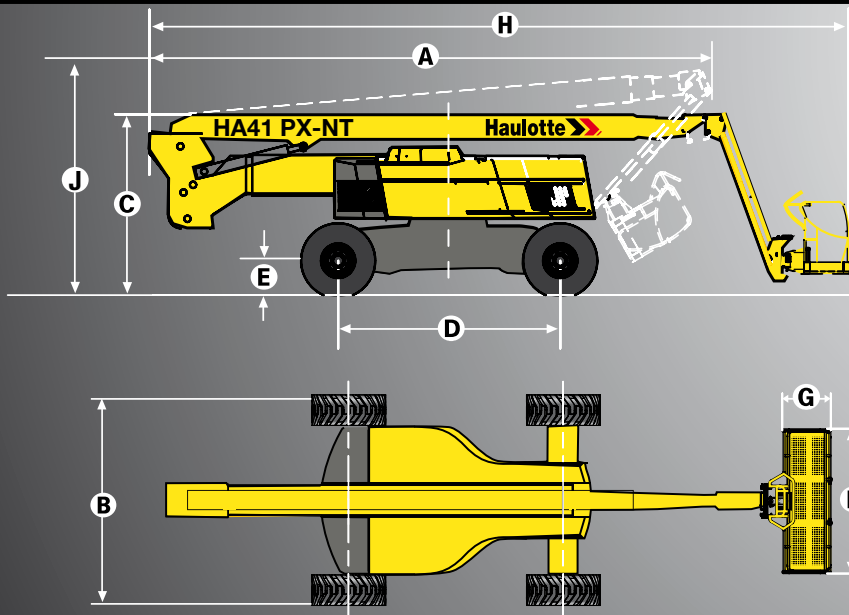
**Haulotte**  
GROUP

Experience in innovation



# HA41 PX-NT

ROUGH TERRAIN ARTICULATING BOOMS



## TECHNICAL DATA

## HA41 PX-NT

Working height	41.5 m
Platform height	39.5 m
Horizontal outreach	19.8 m
Up and over clearance	17.75 m
Lift capacity	230 kg
F x G - Platform size	2.44 x 0.8
H - Length	12.6 m
A - Storage length	11 m
Width	2.5 m
B - Width - with extended axles	3.33 m
C - Height - stowed	2.99 m
J - Storage height	3.7 m
Vertical jib rotation	140° (+70/-70)
Platform rotation	180° (+90/-90)
Turntable rotation	360°
Tailswing	3.88 m
D - Wheelbase	3.5 m
E - Ground clearance	38 cm
Tilt	4°
Drive speed	0.5 - 5 km/h
Gradeability	40 %
Turning radius - outside	5.1 m
Tires - foam-filled	445/65-22.5
Power source	62 kW - 84.2 hp
Weight	23000 kg

## STANDARD EQUIPMENT

- Simultaneous and proportional movements to maximize productivity
- 4 wheel drive and steer
- 2 extendable axles
- Hydrostatic transmission
- Ergonomic control panel
- Maintenance made easy: swing out engine tray
- Gull wing style cowlings
- Automatic platform levelling
- Safe to use in winds up to 45km/h / 28mph
- Tilt controller
- Load Managing System in the platform
- Auxiliary power in the platform for emergency descent
- Towing hooks
- Horn
- Hourmeter
- Power to platform

## OPTIONS AND ACCESSORIES

- Rotating beacon
- Travel alarm
- Working light
- On-board generator
- Biodegradable hydraulic oil



**Haulotte**   
GROUP