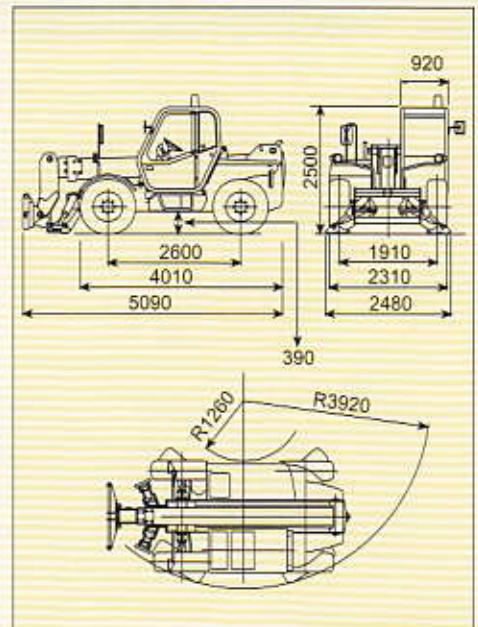
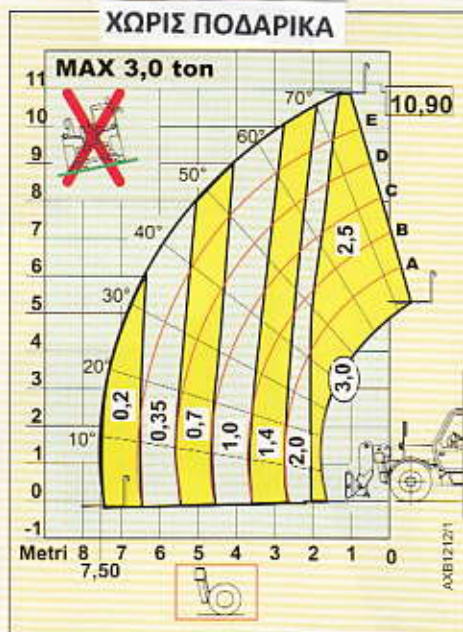
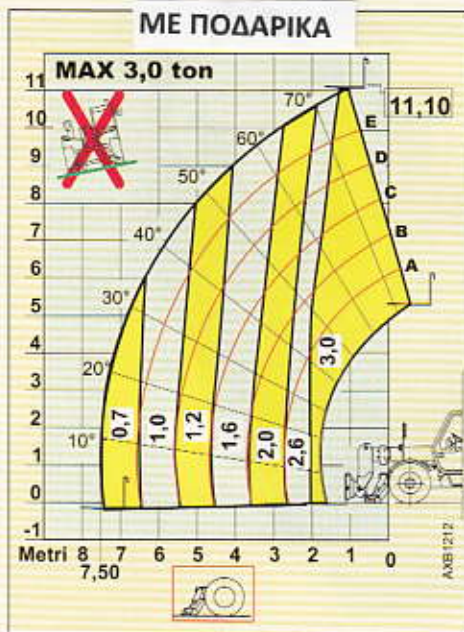


RUNNER 30.11



PERFORMANCES

Maximum capacity:	3.000 Kg
Maximum capacity at maximum height:	3.000 Kg
Maximum capacity boom:	700 Kg
Maximum lifting height:	11,10 m
Maximum horizontal boom extension:	7,50 m
Boom at maximum height:	1,05 m
Angle of fork arching:	134°
Tearing force:	5.700 daN
Towing force:	7.300 daN
Maximum slope for overtaking:	40 %
Total empty weight:	9.500 Kg
Max speed:	27 km/h



TRANSMISSION

Transmission:Hydrostatic with variable capacity pump
 With suction engine:2 speed engine With electric gearshift.
 With turbo engine:hydraulic engine With automatic change.
 Gear reversing:Electro hydraulic
 Inching pedal for controlled forward movement.
 2 speed power steering.



HYDRAULIC CIRCUIT

Gear pump with capacity at speed:88 lt/1'
 Max working pressure:230 bar.
 Distributor controls with joystick:3 in 1.



DIFFERENTIAL AXLES

Steering axles:2, with 4 epicycloidal reduction gears
 Type of steering4 wheels / transversal / 2 wheels
 Front axle:rigid
 Rear axle:oscillating
 Service brake:oil bath on 4 wheels



ENGINE

ENGINE	SUCTION	TURBO
IVECO AIFO	8045E00	8045E00
4 stroke diesel (injection)	direct	direct
Type of suction	natural	turbo
N° cylinders / displacement	4 / 3908	4 / 3908
Bore x stroke	mm-104x115	mm-104x115
Compression ratio	17:1	18:1
Maximum power	kW 59	kW 79,5
Nom. speed (revs minute)	2300	2300
Maximum torque (revs minute)	Nm 275/1300	Nm 390/1400
Consumption (max. speed)	g/kWh 223	g/kWh 225



REFUELLING (litre)

Hydraulic circuit:168
 Fuel tank:105
 Cooling liquid:7
 Engine oil:Aspiré 11 -/Turbo 9



STANDARD DEVICES

Anti-tipping device with block for hazardous movements.
 Stabilizers with independent hydraulic tilting.
 Closed soundproof homologated cab ROPS - FOPS, with heating.
 Hydraulic socket for possible accessories on boom head.
 Self-locking differential on front axle.



TYRES

Tyres:16/70X20 MPT04
 Alternative:405/70X24 MPT04



OPTIONS ET ACCESSOIRES

Options et Accessoires:voir catalogue correspondant

